



katana<sup>4</sup>

The Katana4 mountain bike light combines the latest in LED technology with a robust housing and easy operation. The unit is easy to mount on both helmet and handlebar and features a safety release mechanism in case you misjudge one of those tree branches!

## Heat Management

Advanced thermal management keeps the LEDs super-cool by dissipating the heat generated by them. The cooler the LEDs, the brighter the light.

## Optics

A precision engineered collimator is used to make the most of our 4 high powered LED's. It's not about the spec sheet lumens it's the max light available. The higher the lux value, the better the combination of LED and optic.

## Low Profile Bracket

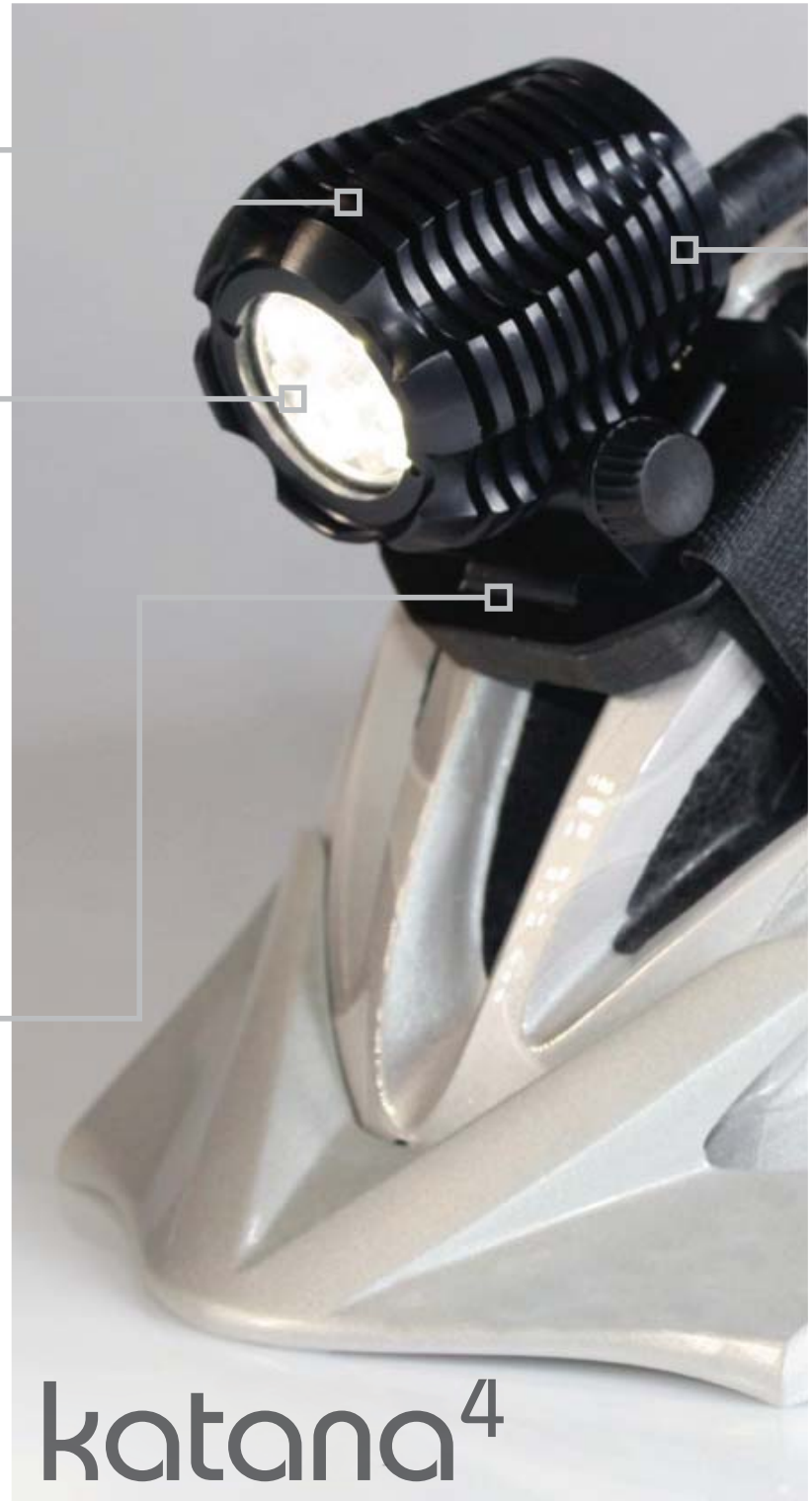
The bracket was designed to be as snug as possible to your helmet in order to streamline your ride.

## Cable Retaining Straps

These will help keep the cable out of the way and out of your wheels, in case the break-away function detaches the light.

## Battery Protection Cap

Keeps your battery terminals protected when not connected to the light.



**katana<sup>4</sup>**

## Thermal Protection Circuit

This part of our driver circuitry will protect the LEDs when you are not moving fast enough.





# features

**Have you been ambushed by a branch?**

Then break-away function will under the right conditions detach the light for you on impact to lessen the damage. Alternatively it is perfect as a quick release to avoid strapping the bracket on/off your helmet.

## Water resistant Construction

IP67 rated when submerged 1m deep for half an hour. (Excluding battery for the moment)

## Fire-fly Switch

100%, 50%, Commuter Strobe, Standby.

# katana<sup>4</sup>



# features

## **Battery**

Our battery is Lithium-polymer because it has more power per weight.

## **Low Battery Warning**

The main beam will flash slowly to make you aware of the fact that your battery capacity is very low.

## **Universal Strap Bag**

The box and bag combination will help keep your battery protected from bumps and scrapes. The straps can hold it to the bike frame, or you can place it in a backpack. For handle bar mounting, the bag can be mounted virtually anywhere you want it.

## **Connector**

We make use of an extremely well designed connector for this light. It is small in size, IP67 rated and comes with a quick lock/release mechanism to secure your battery connection.

## **Thumbscrews**

No tools required for on the fly adjustment of the beam angle. Even with gloved fingertips.



# technical specifications

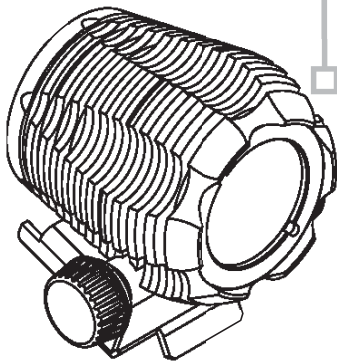


## Technical Specifications

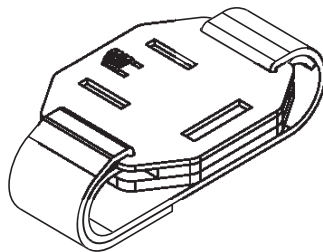
	Katana <sup>4</sup>	Katana <sup>4</sup> Pro
<b>Beam Angle</b>	10°	10°, 25° & 40°
<b>Lumens</b>	592-757lm, actual	592-757lm, actual
<b>Colour Temperature</b>	+ - 5400K	+ - 4200K
<b>Battery</b>	4.8 Ah Li-Poly	4.8 Ah Li-Poly
<b>Charging time</b>	5.5 Hours	5.5 Hours
<b>Weight - All Included</b>	413g	413g
<b>Weight - Head Unit + Bracket</b>	137g	137g
<b>IP Rating</b>	IP67, Excl. Battery	IP67, Excl. Battery
<b>Warranty</b>	1 Year, Light Unit	1 Year, Light Unit
<b>Runtime</b>		
• Full Power	3,5 hours	3,5 hours
• 50%	7,5 Hours	7,5 Hours
• Flash mode	20 + Hours	20 + Hours



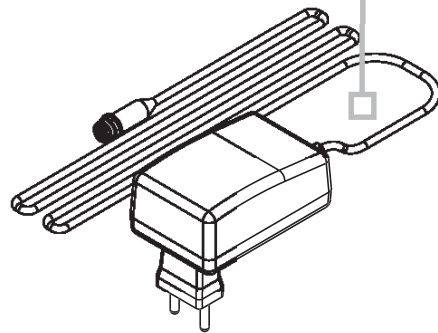
Light Unit



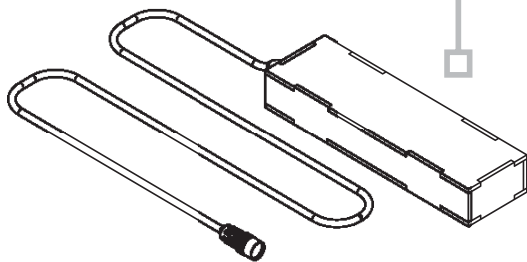
Mounting Bracket



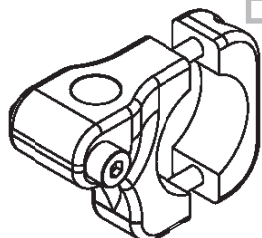
Charger



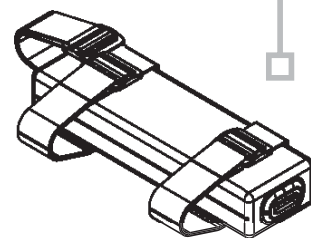
Battery Box + Cable



Handlebar Mount (optional)



Battery Bag (optional)





Lumière Technologies believes in taking an active role in environmental stewardship, as sustainability is critical in the preservation of our natural resources. We invite you to partner with us in enhancing living spaces, living conditions and our environment. This is achievable by committing to make use of intelligent, energy efficient products and systems, that assist you in reducing your carbon footprint.

Our green product offerings and solutions encompass technologies such as LED Lighting fixtures, Zigbee Control systems and Photo Voltaic renewable energy systems. Lead by example, take initiative and make the switch today to secure an environment for current and future generations.

Tellumat BP • 64-74 White Road • Retreat • Cape Town • South Africa • 7945  
Tel +27 (0)21 710 2326 • Fax +27 (0)21 715 5544  
E-mail : [info@lumiere.co.za](mailto:info@lumiere.co.za)  
[www.lumiere.co.za](http://www.lumiere.co.za)